

Schwinn®

Classic Cruiser



ASSEMBLY/OWNER'S
MANUAL



Table of Contents

Important Safety Instructions	3
Safety Warning Labels / Serial Number	5
Specifications	6
Before Assembly	6
Tools	6
Parts	7
Hardware	7
Assembly	8
Leveling the Bike	17
Moving the Bike	17
Features	18
Operations	21
Adjustments	21
Workout Mode	22
Pausing or Stopping	22
Workout Results	23
Maintenance	24
Troubleshooting	26
Warranty (US/Canada only)	30

To validate warranty support, keep the original proof of purchase and record the following information:

Serial Number _____

Date of Purchase _____

If purchased in US/Canada: To register your product warranty, go to: www.nautilus.com/register or call 1 (800) 605-3369.

If purchased outside US/Canada: To register your product warranty, contact your local distributor.

For details regarding product warranty or if you have questions or problems with your product, please contact your local distributor. To find your local distributor, go to: www.nautilusinternational.com

Nautilus, Inc., 5415 Centerpoint Parkway, Groveport, OH 43125 USA, www.NautilusInc.com - Customer Service: North America (800) 605-3369, csnls@nautilus.com | outside U.S. or Canada: www.nautilusinternational.com | Printed in China | © 2018 Nautilus, Inc. | ® indicates trademarks registered in the United States. These marks may be registered in other nations or otherwise protected by common law. Schwinn, the Schwinn Quality logo, and Classic Cruiser are trademarks owned by or licensed to Nautilus, Inc. Google Play™, and iTunes® are trademarks of their respective owners. The Bluetooth® word mark and logos are registered trademarks owned by Bluetooth SIG, Inc., and any use of such marks by Nautilus, Inc. is under license.

ORIGINAL MANUAL - ENGLISH VERSION ONLY

Important Safety Instructions



This icon means a potentially hazardous situation which, if not avoided, could result in death or serious injury.

Obey the following warnings:



Read and understand all warnings on this machine.

Carefully read and understand the Assembly instructions.

- Keep bystanders and children away from the product you are assembling at all times.
- Do not connect power supply to the machine until instructed to do so.
- Do not assemble this machine outdoors or in a wet or moist location.
- Make sure assembly is done in an appropriate work space away from foot traffic and exposure to bystanders.
- Some components of the machine can be heavy or awkward. Use a second person when doing the assembly steps involving these parts. Do not do steps that involve heavy lifting or awkward movements on your own.
- Set up this machine on a solid, level, horizontal surface.
- Do not try to change the design or functionality of this machine. This could compromise the safety of this machine and will void the warranty.
- If replacement parts are necessary, use only genuine Nautilus replacement parts and hardware. Failure to use genuine replacement parts can cause a risk to users, keep the machine from operating correctly and void the warranty.
- Do not use until the machine has been fully assembled and inspected for correct performance in accordance with the Manual.
- Read and understand the complete Manual supplied with this machine before first use. Keep the Manual for future reference.
- Do all assembly steps in the sequence given. Incorrect assembly can lead to injury or incorrect function.
- SAVE THESE INSTRUCTIONS.

Before using this equipment, obey the following warnings:



Read and understand the complete Manual. Keep the Manual for future reference.

Read and understand all warnings on this machine. If at any time the Warning labels become loose, unreadable or dislodged, replace the labels. If purchased in US/Canada, contact Customer Service for replacement labels. If purchased outside US/Canada, contact your local distributor for them.

- Children must not be let on or near to this machine. Moving parts and other features of the machine can be dangerous to children.
- Not intended for use by anyone under 14 years of age.
- Consult a physician before you start an exercise program. Stop exercising if you feel pain or tightness in your chest, become short of breath, or feel faint. Contact your doctor before you use the machine again. Use the values calculated or measured by the machine's computer for reference purposes only.
- Before each use, examine this machine for damage to power cord, power receptacle, loose parts or signs of wear. Inspect all cables, pulleys and their connections, making sure they are properly secured and attached, and show no signs of visible wear or damage. Do not use if found in this condition. If purchased in US/Canada, contact

Customer Service for repair information. If purchased outside US/Canada, contact your local distributor for repair information.

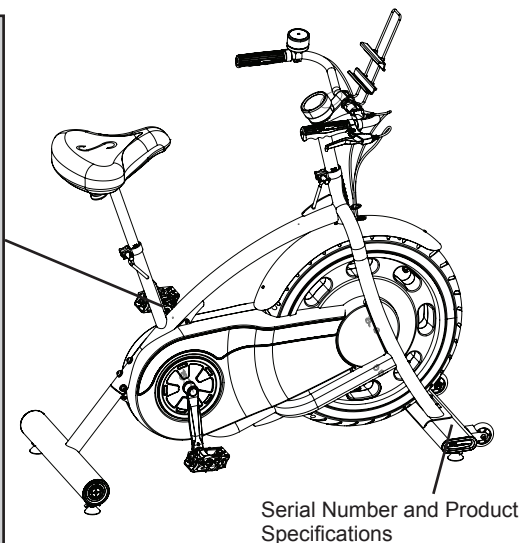
- This appliance should only be used with the power supply unit provided, or a replacement power supply unit supplied from Nautilus, Inc.
- Maximum user weight limit: 136 kg (300 lbs.). Do not use if you are over this weight.
- This machine is for home use only.
- Do not wear loose clothing or jewelry. This machine contains moving parts. Do not put fingers or other objects into moving parts of the exercise equipment.
- Set up and operate this machine on a solid, level, horizontal surface.
- Make the Pedals stable before you step on them. Use caution when you step on and off the machine.
- Disconnect all power before servicing this machine.
- Do not operate this machine outdoors or in moist or wet locations. Keep the foot pedals clean and dry.
- Keep at least 0.6 m (24") on each side of the machine clear. This is the recommended safe distance for access and passage around and emergency dismounts from the machine. Keep third parties out of this space when machine is in use.
- Do not over exert yourself during exercise. Operate the machine in the manner described in this manual.
- Correctly adjust and safely engage all Positional Adjustment Devices. Make sure that the Adjustment Devices do not hit the user.
- Exercise on this machine requires coordination and balance. Be sure to anticipate that changes in speed and resistance level can occur during workouts, and be attentive in order to avoid loss of balance and possible injury.
- Prior to use, read and understand the owner's manual. The appliance is not to be used by persons with functional limitations and impairments, reduced physical, sensory or mental capabilities, or lack of experience and knowledge.

Safety Warning Labels and Serial Number



WARNING!

- Injury or death is possible if caution is not used while using this machine.
- Keep children and pets away.
- Read and follow all warnings on this machine.
- Refer to the Owner's Manual for additional warnings and safety information.
- The heart rate displayed is an approximation and should be used for reference only.
- Not intended for use by anyone under 14 years of age.
- The maximum user weight for this machine is 300 lbs (136 kg).
- This machine is for home use only.
- Consult a physician prior to using any exercise equipment.



(Label is available in English and French Canadian only.)

FCC Compliance



Changes or modifications to this unit not expressly approved by the party responsible for compliance could void the user's authority to operate the equipment.

The machine and power supply comply with Part 15 of the FCC rules. Operation is subject to the following two conditions: (1) This device may not cause harmful interference, and (2) this device must accept any interference received, including interference that may cause undesired operation.

Note: This machine and power supply have been tested and found to comply with the limits for a Class B digital device, pursuant to Part 15 of the FCC Rules. These limits are designed to provide reasonable protection against harmful interference in a residential installation. This equipment generates, uses and can radiate radio frequency energy and, if not installed and used in accordance with the instructions, may cause harmful interference to radio communications.

However, there is no guarantee that interference will not occur in a particular installation. If this equipment does cause harmful interference to radio or television reception, which can be determined by turning the equipment off and on, the user is encouraged to try to correct the interference by one or more of the following measures:

- Reorient or relocate the receiving antenna.
- Increase the separation between the equipment and receiver.
- Connect the equipment into an outlet on a circuit different from that to which the receiver is connected.
- Consult the dealer or an experienced radio/TV technician for help.

Specifications / Tools

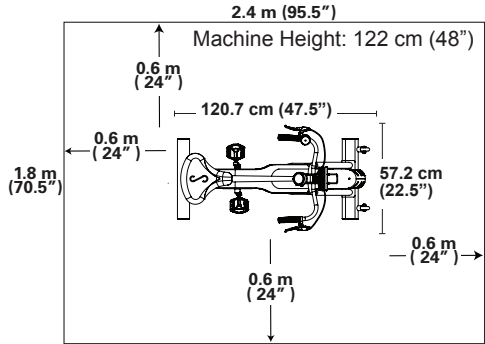
Maximum User Weight: 136 kg (300 lbs.)

Machine Weight: 33.1 kg (73 lbs.)

Power Requirements:

Input Voltage: 100-240V AC, 50-60Hz, 0.4A

Output Voltage: 9V DC, 1.5A



DO NOT dispose of this product as refuse. This product is to be recycled. For proper disposal of this product, please follow the prescribed methods at an approved waste center.

⚠ WARNING

This product, its packaging, and components contain chemicals known to the State of California to cause cancer, birth defects, or reproductive harm. This Notice is provided in accordance with California's Proposition 65. If you would like additional information, please refer to our website at www.nutilus.com/prop65.

Before Assembly

Select the area where you are going to set up and operate your machine. For safe operation, the location must be on a hard, level surface. Allow a workout area of a minimum 242.6 cm x 179 cm (95.5" x 70.5").

Basic Assembly Tips

Follow these basic points when you assemble your machine:

1. Read and understand the "Important Safety Instructions" before assembly.
2. Collect all the pieces necessary for each assembly step.
3. Using the recommended wrenches, turn the bolts and nuts to the right (clockwise) to tighten, and the left (counterclockwise) to loosen, unless instructed otherwise.
4. When attaching 2 pieces, lightly lift and look through the bolt holes to help insert the bolt through the holes.
5. The assembly requires 2 people.

Tools

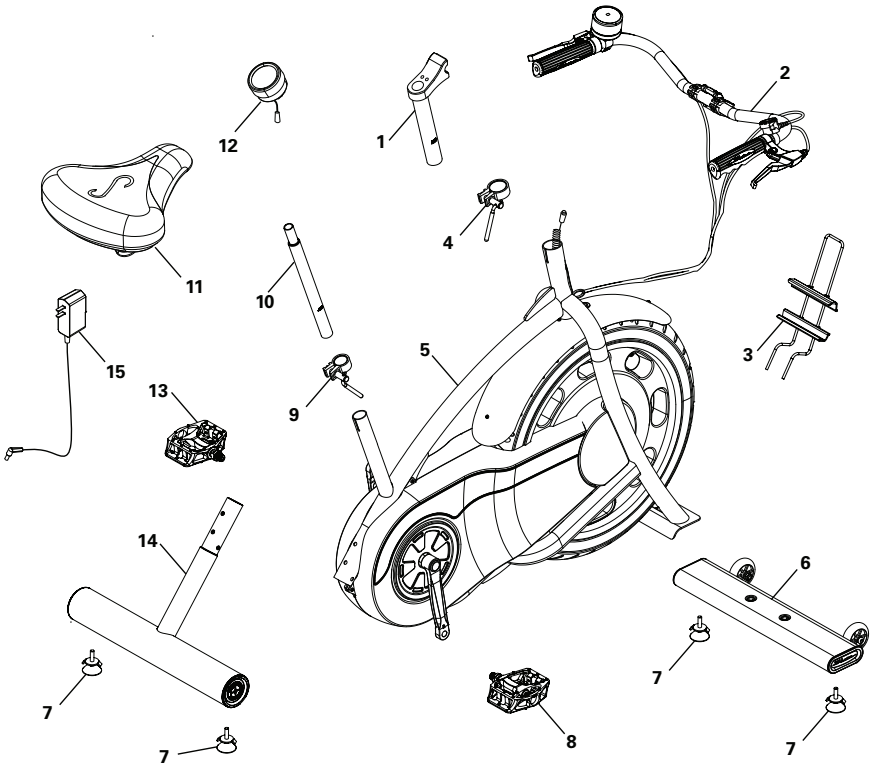
Included



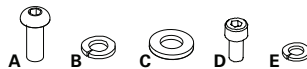
5 mm



Parts / Hardware



Item	Qty	Description	Item	Qty	Description
1	1	Handlebar Post	9	1	Seat Adjustment Clamp
2	1	Handlebar Assembly	10	1	Seat Post
3	1	Media Rack	11	1	Seat
4	1	Handlebar Adjustment Clamp	12	1	Console
5	1	Frame Assembly	13	1	Pedal, Left
6	1	Front Stabilizer	14	1	Rear Stabilizer
7	4	Leveler	15	1	Power Supply
8	1	Pedal, Right			

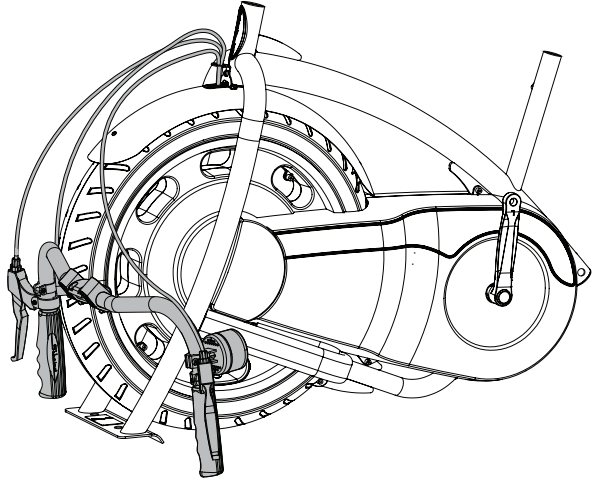


A	6	Button Head Hex Screw, M8 x 20	D	4	Socket Head Cap Screw, M6 x12
B	6	Lock Washer, M8	E	4	Lock Washer, M6
C	6	Flat Washer, M8			

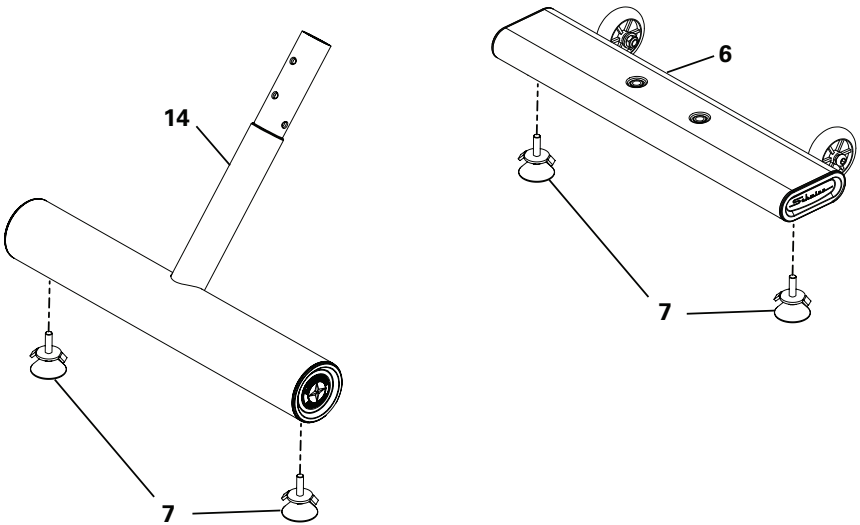
Note: Select pieces of Hardware have been provided as spares on the Hardware Card. Be aware that there may be remaining Hardware after the proper assembly of your machine.

Assembly

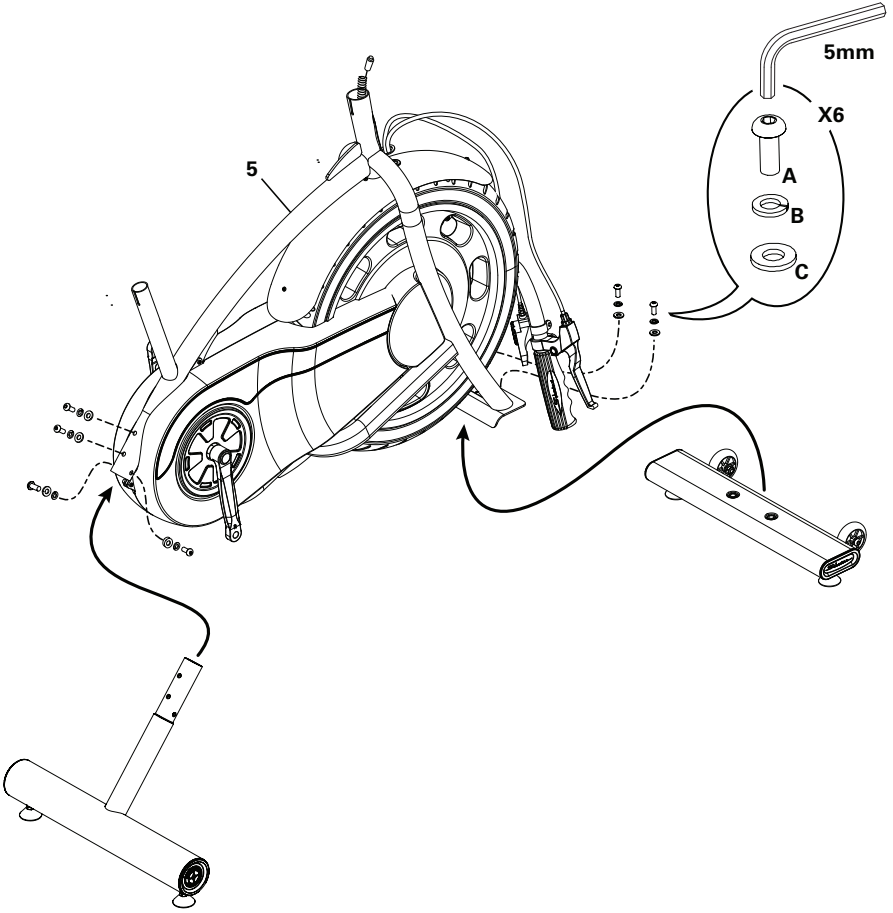
Note: Because of the cables that run from the Handlebars to inside the Frame Assembly, be sure to carefully unpack and place the Handlebars in front of the Frame Assembly. Be sure not to crimp the cables during unpacking or assembly.



1. Attach Levelers to the Front and Rear Stabilizers

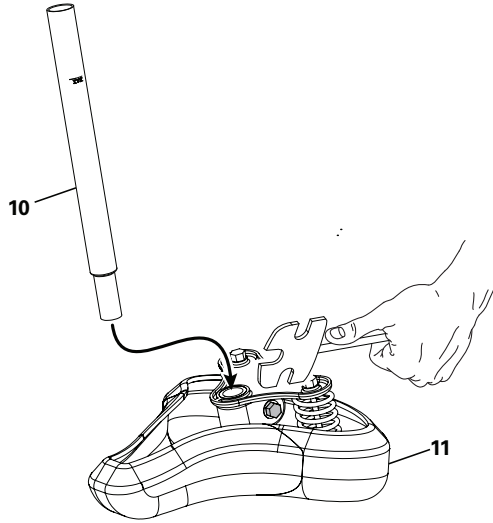


2. Attach the Stabilizers to the Frame Assembly



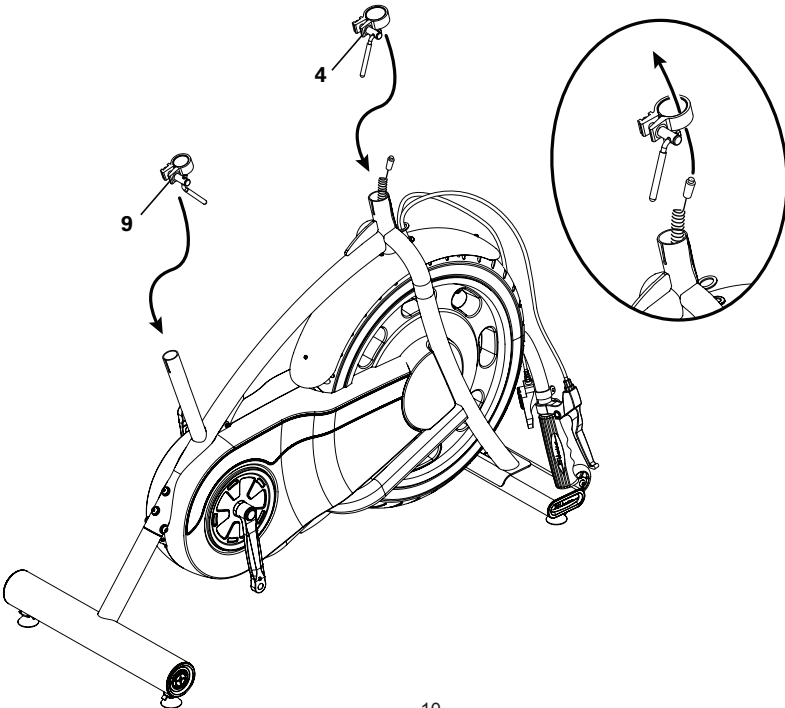
3. Attach the Seat to the Seat Post

NOTICE: Tighten the bolts on **each side** of the Seat bracket to hold the Seat in position.



4. Place the Seat and Handlebar Adjustment Clamps on the Frame Assembly

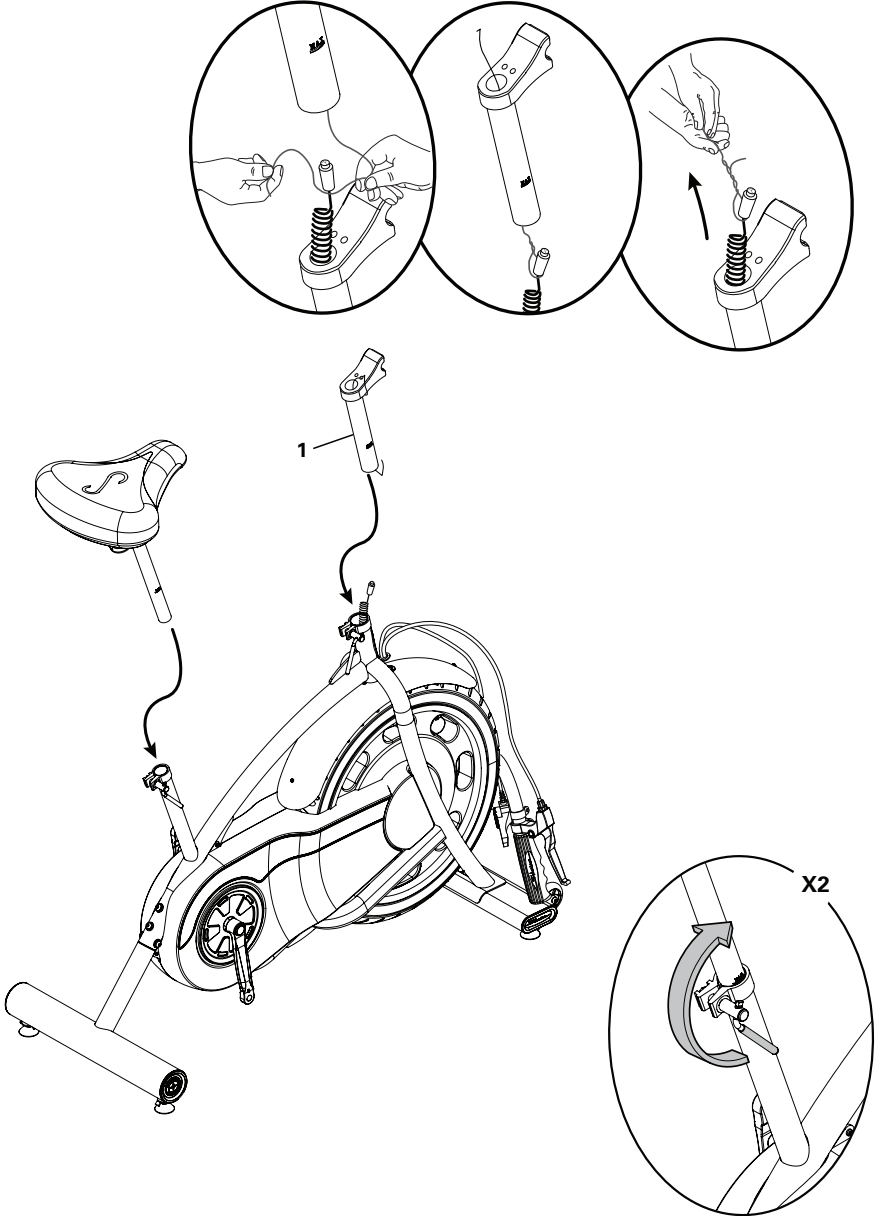
NOTICE: Orient the clamps so the inner ridge rests on the top of the posts from the Frame Assembly. Do not fully tighten.



5. Route the Console Cable through the Handlebar Post. Attach the Handlebar and Seat Posts to the Frame Assembly

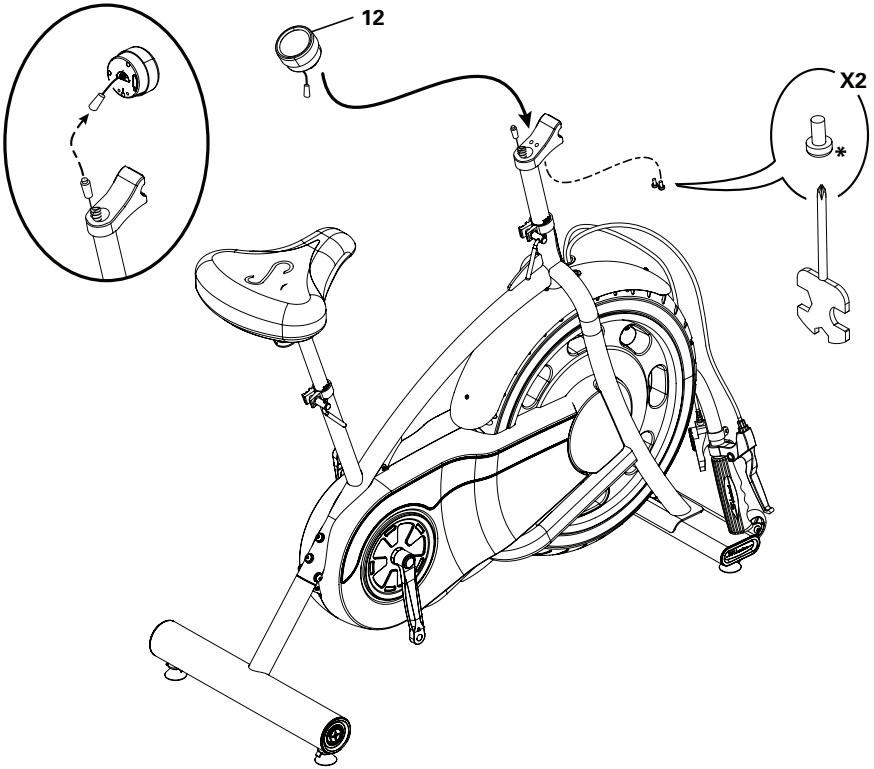
NOTICE: Do not crimp the cable. Make sure the adjustment levers fully engage the Posts.

Be sure the Posts are below the maximum height marks.



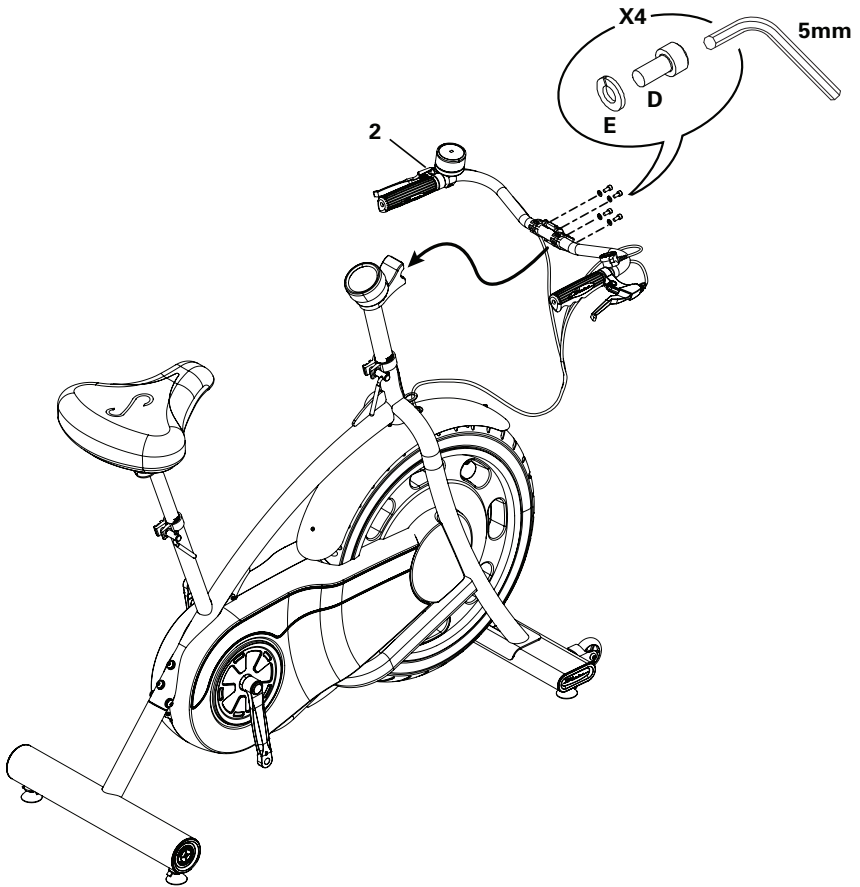
6. Attach the Console to the Frame Assembly

NOTICE: Do not crimp the cable. Hardware is pre-installed and not on the Hardware Card (*).



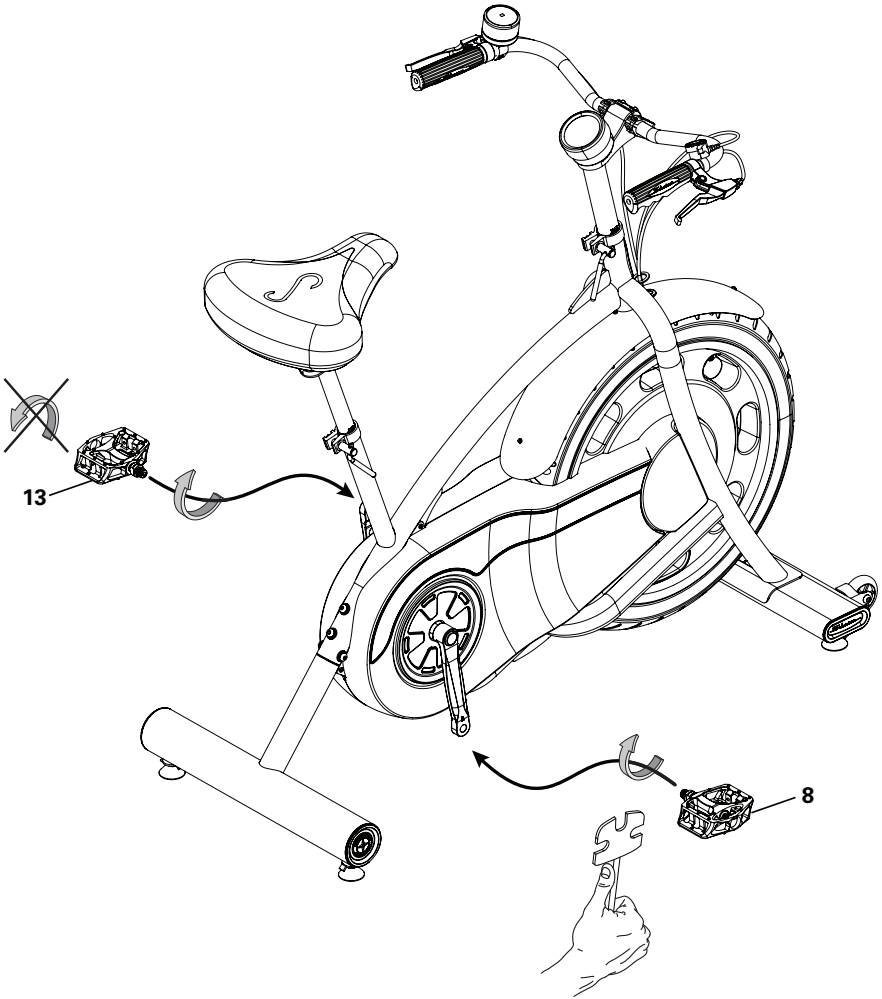
7. Attach the Handlebars to the Frame Assembly

Note: Be sure not to crimp any cables when attaching the Handlebars.



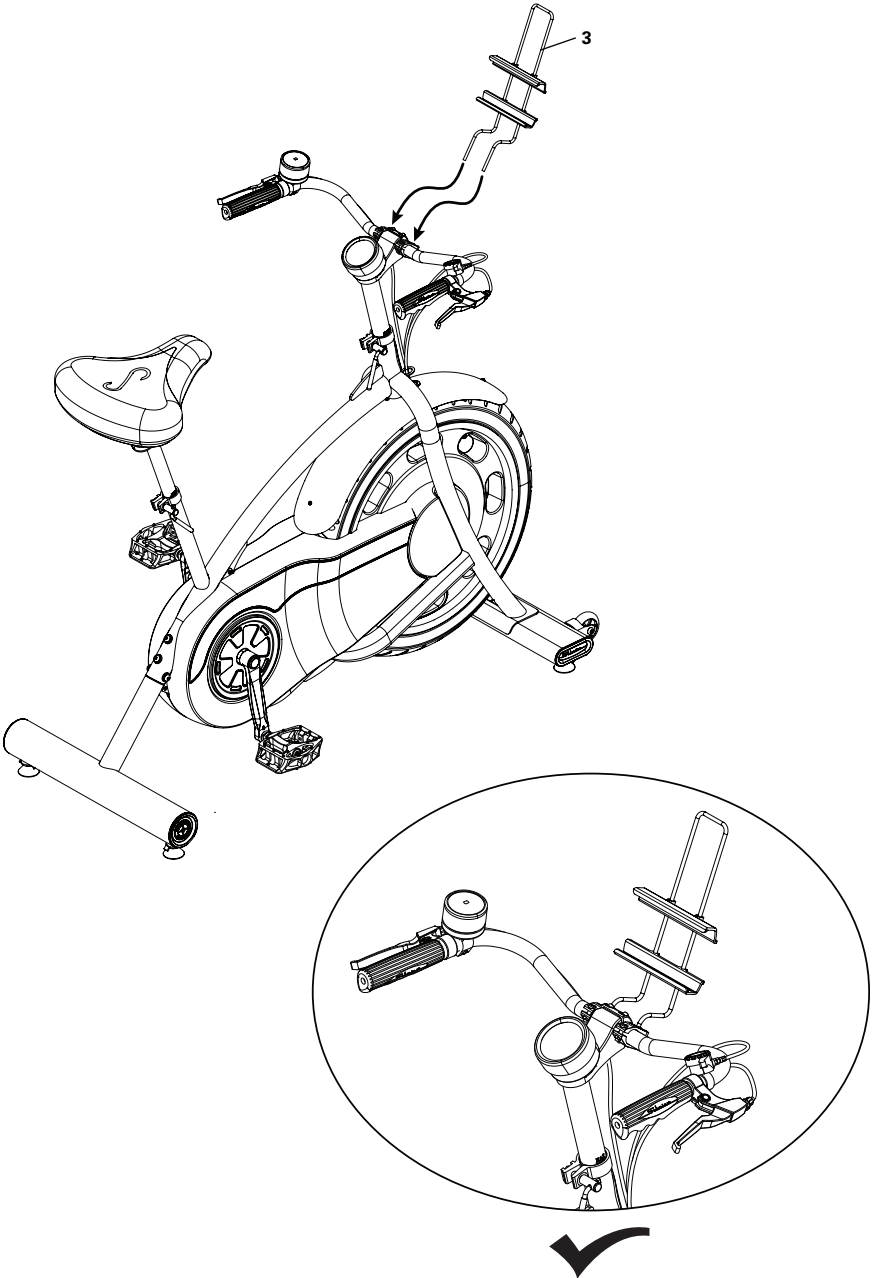
8. Attach Pedals to Frame Assembly

Note: The Left Pedal is reverse-threaded. Be sure to attach Pedals on the proper side of the Bike. Orientation is based from a seated position on the bike. The Left Pedal has an "L", the Right Pedal an "R".



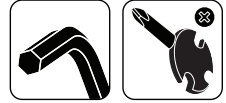
9. Attach Media Rack to Frame Assembly

Note: Adjust the Media Rack to the desired orientation, and fully tighten the hardware that secures it to the Handlebars.

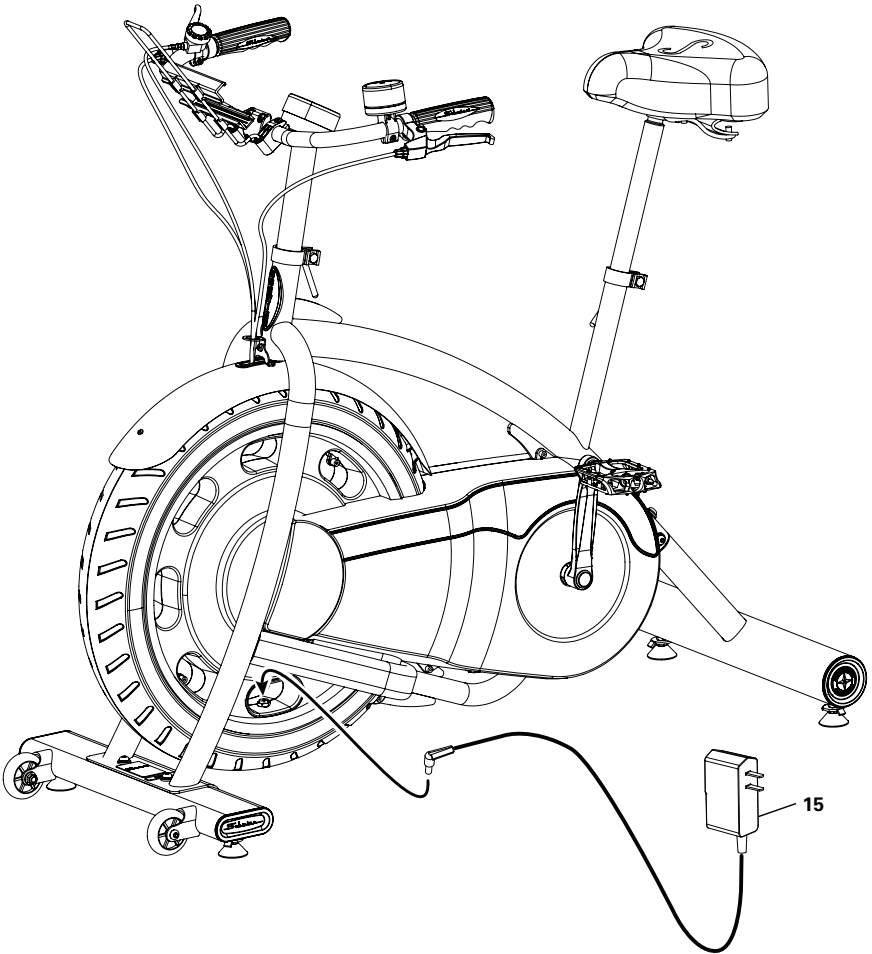


10. On the Handlebars, inspect the orientation of the Timer, Resistance Shifter, and Brake Levers. Adjust for Proper Positioning

11. Fully Tighten All Hardware from Previous Steps



12. Connect AC Power Adapter to Frame Assembly



13. Final Inspection

Inspect your machine to ensure that all hardware is tight and components are properly assembled.

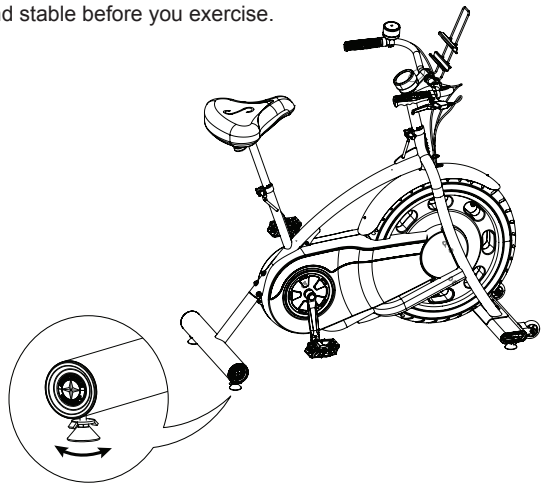
Be sure to record the serial number in the field provided at the front of this manual. Refer to the Safety Warning Labels and Serial Number section of this manual.



Do not use or put the machine into service until the machine has been fully assembled and inspected for correct performance in accordance with the Owner's Manual.

Leveling the Bike

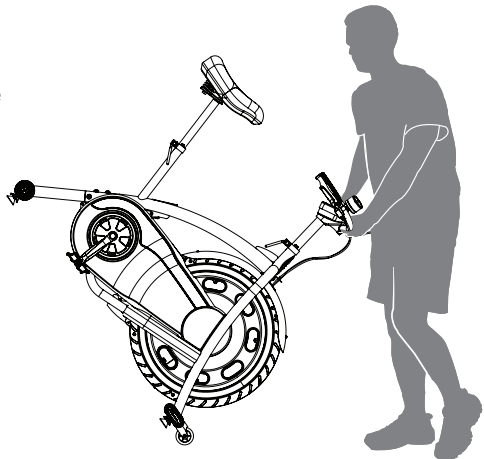
Levelers are found on each side of the stabilizers. Turn the knob to adjust the stabilizer foot. Make sure the bike is level and stable before you exercise.



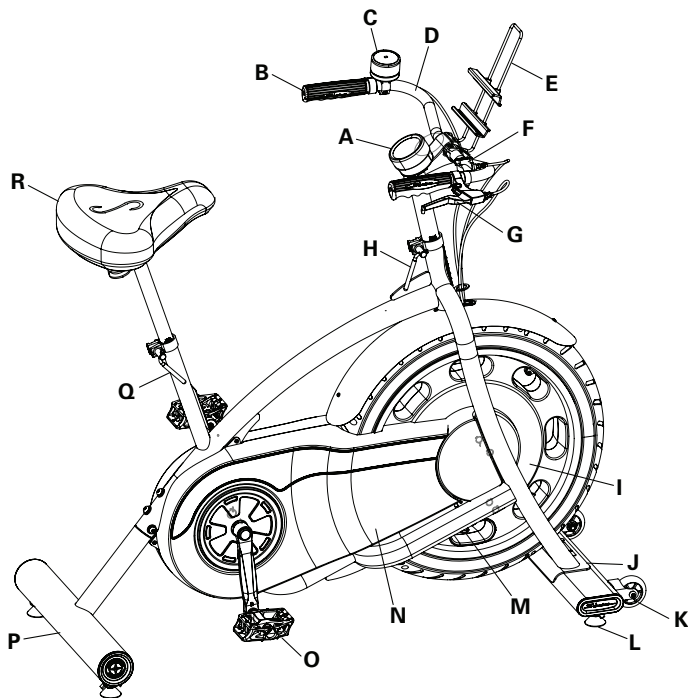
Moving the Bike

To move the bike, carefully pull the Handlebars toward you while pushing the front of the bike downward. Push the bike to the desired location.

NOTICE: Be careful when you move the machine. Abrupt motions can affect the computer operation.



Features



A	Console	J	Stabilizer, Front
B	Handgrip	K	Transport Wheels
C	Timer	L	Leveler
D	Handlebars	M	Power Inlet
E	Media Rack	N	Drive Belt Guard
F	Resistance Shifter	O	Pedal
G	App Game Control Lever	P	Rear Stabilizer
H	Handlebar Adjustment Lever	Q	Seat Adjustment Lever
I	Flywheel (enclosed)	R	Seat

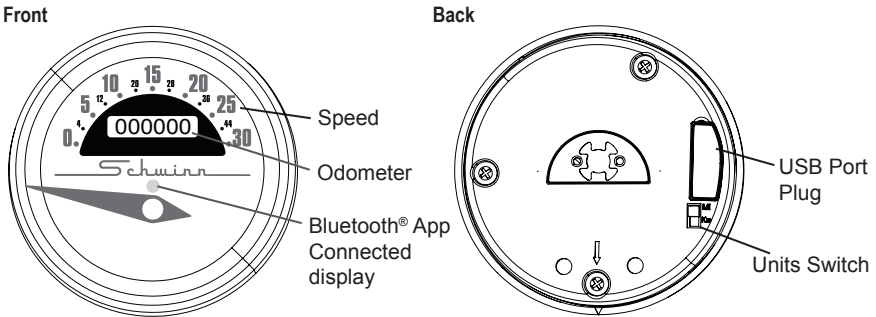
⚠ WARNING

Use the values calculated or measured by the machine's computer for reference purposes only. Over exercising may result in serious injury or death. If you feel faint stop exercising immediately.

Console Features

The Console provides information about your workout.

Note: The USB Port is only used to update the Console. It is not able to charge a device or export workout results.



Odometer and Units Switch

The odometer tracks the total distance of the fitness machine in miles or kilometers depending on the units selected. The units switch on the back side of the Console selects between miles and kilometers.

Note: If the units switch is changed after a distance has already been tracked, the odometer will continue to add to the total, but at the new rate. This will result in a mixed value of miles and kilometers.

Speed

The Speed display field shows the machine speed in miles per hour (mph) or kilometers per hour (km/h). The maximum displayed speed is 30 mph or 44 km/h.

Note: The needle for the Speed display will adjust to zero when power is initially supplied to the Console.

Bluetooth® Connectivity with the “Schwinn Classic Cruiser™” Fitness App

This fitness machine is equipped with Bluetooth® connectivity and can wirelessly sync with the “Schwinn Classic Cruiser™” Fitness App on supported devices. The App syncs with your fitness machine to track total calories burned, time, distance, and more. The Bluetooth® App Connected display shows when the Console is paired with the App.

Before you begin your workout, open the App on your Bluetooth® enabled device. If the App is not running during your workout, the results will not be tracked. Be sure to select the desired User (1 or 2) on the App to correctly track the workout.

1. Download the free App, named Schwinn Classic Cruiser™. The App is available on iTunes® and Google Play™.

Note: For a complete list of supported devices, review the App on iTunes® or Google Play™.

2. Follow the instructions on the App to sync your device to your exercise machine.

Workout with Other Fitness Apps

This fitness machine has integrated Bluetooth® connectivity which allows it to work with a number of digital partners. For our latest list of supported partners, please visit:

www.nautilus.com/partners

What to Wear

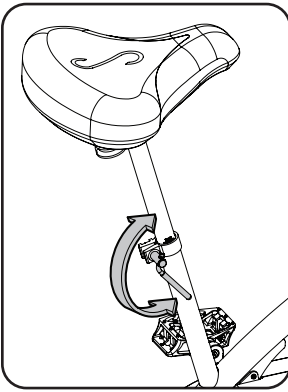
Wear rubber-soled athletic shoes or appropriate cycling shoes. You will need the appropriate clothes for exercise that allow you to move freely.

How Often Should You Exercise



Consult a physician before you start an exercise program. Stop exercising if you feel pain or tightness in your chest, become short of breath, or feel faint. Contact your doctor before you use the machine again. Use the values calculated or measured by the machine's computer for reference purposes only.

- 3 times a week for 30 minutes each day.
- Schedule workouts in advance.



Seat Post Adjustment

Correct seat and handlebar placement encourages exercise efficiency and comfort, while reducing the risk of injury.

1. With a Pedal in the forward position, center the ball of your foot over the center of the Pedal. Your leg should be bent slightly at the knee.
2. If your leg is too straight or your foot cannot touch the Pedal, move the seat down on the upright bike. If your leg is bent too much, move the seat up on the upright bike.



Step off the bike before you adjust the seat.

Loosen the Seat Adjustment Lever on the seat post. Adjust the seat to the desired height. Tighten the adjustment lever to lock the seat post. Be sure that the adjustment lever is fully engaged.



Do not lift the Seat Post above the MAX mark on the tube.

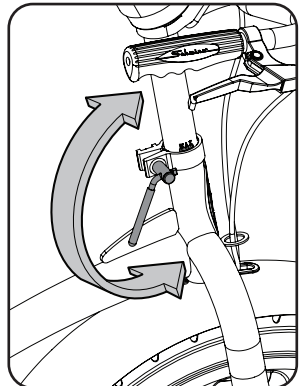
Handlebar Adjustment

Loosen the Handlebar Adjustment Lever on the handlebar post. Adjust the handlebar assembly to the desired height. Fully tighten the adjustment lever.



Do not lift the Handlebar Assembly above the MAX mark on the tube.

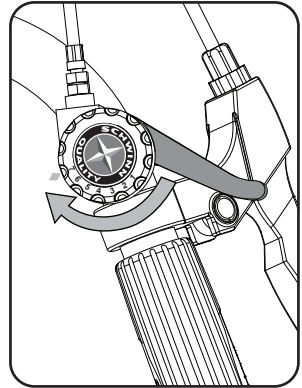
To adjust the angles of the items attached to the Handlebar, loosen the screws that secure them and adjust to the desired angle. Fully tighten the hardware.



Resistance Shifter

The Resistance Shifter controls the level of resistance that is applied to the flywheel. The selected resistance level is pointed to by the lower "star burst" of the Schwinn® Quality logo. There are seven levels of resistance (1-7) on the exercise bike.

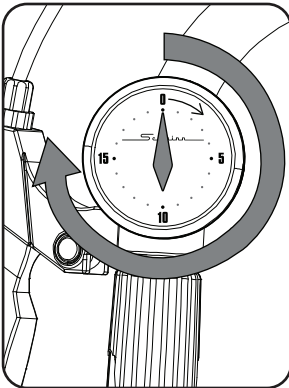
Adjust the Resistance Shifter to increase or decrease the resistance at any time during your workout.



Workout Timer

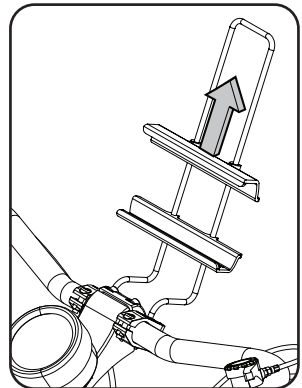
Your fitness machine is equipped with a 20 minute Workout Timer. Gently turn the face of the Timer clockwise 3/4 of the way around (past 15), and then to the desired amount of time and release it. The Workout Timer begins counting down immediately, and will make an audible sound when the time ends.

Note: Never turn the face of the Timer counter-clockwise during the initial 3/4 of the way around winding. This may damage the Timer.



Media Rack

Your fitness machine is equipped with a Media Rack above the Handlebars. The Media Rack secures your mobile device, or other media. Adjust the lower part to the lowest setting for your mobile device. Place your device on the lower part of the Media Rack and, while holding the device in place, slide down the upper part until your device is secure between the lower and upper parts.



Workout Mode

The machine starts Workout Mode when it is plugged in or if it receives a signal from the RPM sensor as a result of pedaling the machine.

Pausing or Stopping a Workout / Auto Shut-Off (Sleep Mode)

If the Console does not receive any input in approximately 2 minutes, it will automatically shut off.

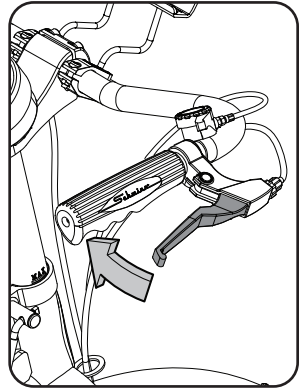
Workout Results

The Console does not show your workout results. To be able to review a workout, a Bluetooth® enabled device with the Schwinn Classic Cruiser™ App must be running for the duration of the workout. Be sure to select your User profile (1 or 2) on the App before the work out.

The App will track the user, date/time of the workout, duration, average speed, highest speed, distance, RPMs (Rotations Per Minute), and Total Calories.

App Game Control Levers

The App Game Control Levers add a level of interaction when used with features on the Schwinn Classic Cruiser™ App.



Maintenance

Read all maintenance instructions fully before you start any repair work. In some conditions, an assistant is necessary to do the necessary tasks.



Equipment must be regularly examined for damage and repairs. The owner is responsible to make sure that regular maintenance is done. Worn, damaged or loose components must be repaired or replaced immediately. Only manufacturer supplied components can be used to maintain and repair the equipment.

If at any time the Warning labels become loose, unreadable or dislodged, replace the labels. If purchased in US/Canada, contact Customer Service for replacement labels. If purchased outside US/Canada, contact your local distributor for them.

Daily:

Before each use, examine the exercise machine for loose, broken, damaged, or worn parts. Do not use if found in this condition. Repair or replace all parts at the first sign of wear or damage. Make sure adjustment clamps are tight. Tighten as necessary. After each workout, use a damp cloth to wipe your machine and Console free of sweat.

Note: Avoid excessive moisture on the Console.

Weekly:

Clean the machine to remove any dust, dirt, or grime from the surfaces. Check for smooth seat and handlebar operation. If needed, sparingly apply a thin coating of silicone lube to ease operation.



Silicone lubricant is not intended for human consumption. Keep out of reach of children. Store in a safe place.

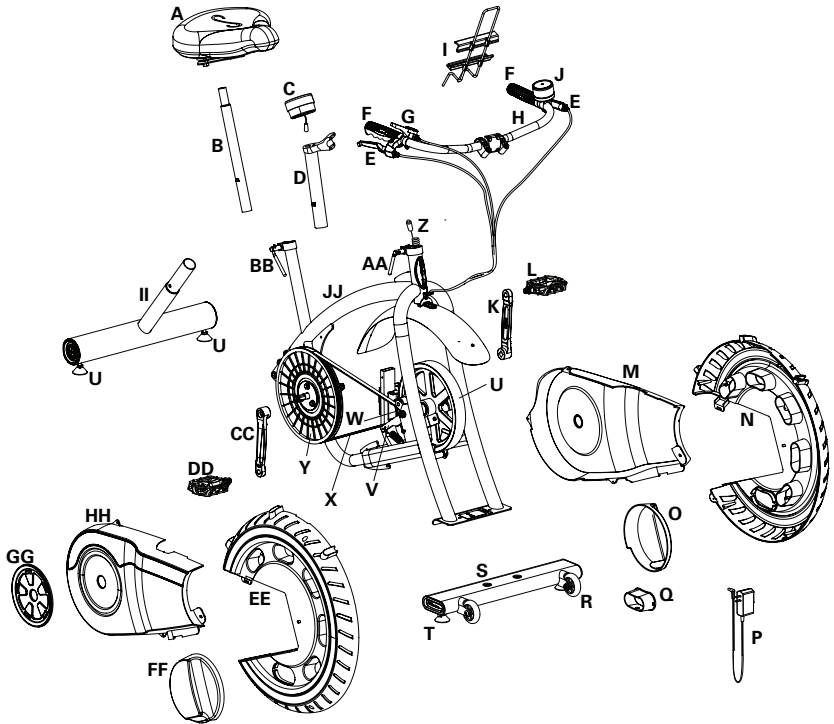
Note: Do not use petroleum based products.

Monthly or after 20 hours:

Check pedals and crank arms and tighten as necessary. Make sure all bolts and screws are tight. Tighten as necessary.

NOTICE: Do not clean with a petroleum based solvent or an automotive cleaner. Be sure to keep the Console free of moisture.

Maintenance Parts



A	Seat	S	Front Stabilizer
B	Seat Post	T	Leveler
C	Console	U	Flywheel
D	Console Mast	V	Tensioner
E	App Game Control Lever	W	Brake Assembly/Servo Motor
F	Handlebar Grip	X	Drive Belt
G	Brake Shifter	Y	Drive Pulley
H	Handlebars	Z	Data Cable
I	Media Rack	AA	Handlebar Adjustment Clamp
J	Timer	BB	Seat Adjustment Clamp
K	Crank Arm, Left	CC	Crank Arm, Right
L	Pedal, Left	DD	Pedal, Right
M	Left Shroud	EE	Right Wheel Shroud
N	Left Wheel Shroud	FF	Right Axle Shroud
O	Left Axle Shroud	GG	Crank Cover
P	Adjustment Knob	HH	Right Shroud
Q	Power Inlet Shroud	II	Rear Stabilizer
R	Transport Wheel	JJ	Frame Assembly

Troubleshooting

Condition/Problem	Things to Check	Solution
No display/partial display/unit will not turn on	Check electrical (wall) outlet	Make sure unit is plugged into a functioning wall outlet.
	Check connection at unit	Connection should be secure and undamaged. Replace adapter or connection at unit if either are damaged.
	Check data cable integrity	All wires in cable should be intact. If any are visibly crimped or cut, replace cable.
	Check data cable connections/orientation	Be sure cable is connected securely and oriented properly.
	Check console display for damage	Check for visual sign that console display is cracked or otherwise damaged. Replace Console if damaged.
		If the above steps do not resolve the problem, contact Customer Service (if inside US/Canada) or your local distributor (if outside US/Canada) for further assistance.
No speed/RPM reading,	Check data cable integrity	All wires in cable should be intact. If any are cut or crimped, replace cable.
	Check data cable connections/orientation	Be sure cable is connected securely and oriented properly.
	Check magnet position (requires shroud removal)	Magnets should be in place on pulley.
	Check Speed Sensor (requires shroud removal)	Speed sensor should be aligned with magnet and connected to data cable. Realign sensor if necessary. Replace if there is any damage to the sensor or the connecting wire.
Resistance does not change (machine turns on and operates)	Check Resistance Shifter	Check for visual sign that Resistance Shifter is damaged. Replace Resistance Shifter if damaged.
		If the above step does not resolve the problem, contact Customer Service (if inside US/Canada) or your local distributor (if outside US/Canada) for further assistance.

Condition/Problem	Things to Check	Solution
Console shuts off (enters sleep mode) while in use	Check electrical (wall) outlet	Make sure unit is plugged into a functioning wall outlet.
	Check connection at unit	Connection should be secure and undamaged. Replace adapter or connection at unit if either are damaged.
	Check data cable integrity	All wires in the cable should be intact. If any are cut or crimped, replace cable.
	Check data cable connections/orientation	Be sure cable is connected securely and oriented properly.
	Reset Machine	Unplug unit from electrical outlet for 3 minutes. Reconnect to outlet.
	Check magnet position (requires shroud removal)	Magnets should be in place on pulley.
	Check Speed Sensor (requires shroud removal)	Speed sensor should be aligned with magnet and connected to data cable. Realign sensor if necessary. Replace if there is any damage to the sensor or the connecting wire.
Unit rocks/does not sit level	Check leveler adjustment	Adjust levelers until bike is level.
	Check surface under unit	Adjustment may not be able to compensate for extremely uneven surfaces. Move bike to level area.
Pedals loose/unit difficult to pedal	Check pedal to crank arm connection	Pedal should be tightened securely to crank. Insure connection is not cross-threaded.
	Check crank arm to axle connection	Crank should be tightened securely to axle. Be sure cranks are connected at 180 degrees from each other.
Clicking sound when pedaling	Check pedal to crank arm connection	Remove pedals. Make sure there is no debris on threads, and reinstall the pedals
Seat or handlebar post movement	Check adjustment lever	Be sure lever is securely tightened.

Condition/Problem	Things to Check	Solution
Console will not sync with Bluetooth® enabled device	Fitness machine	Unplug unit from electrical outlet for 5 minutes. Reconnect to outlet.
	Bluetooth® enabled device	Consult your device to be sure that the Bluetooth® wireless feature has been enabled on it.
	Previous device still synced	A device is still synced to Console. Disconnect that device and sync to Console.
	Open Fitness App	Open the Fitness App and sync to the Console.
	Fitness App	Review Specifications of Fitness App and confirm your device is compatible.
		Contact appsupport@nautilus.com or your local distributor for further assistance.

Warranty (if purchased in US/Canada)

Who Is Covered

This warranty is valid only to the original purchaser and is not transferable or applicable to any other person(s).

What Is Covered

Nautilus, Inc. warrants that this product is free from defects in materials and workmanship, when used for the purpose intended, under normal conditions, and provided it receives proper care and maintenance as described in the Product's Assembly and Owner's manual. This warranty is good only for authentic, original, legitimate machines manufactured by Nautilus, Inc. and sold through an authorized agent and used in the United States or Canada.

Terms

Warranty terms for products purchased in US/Canada are as stated below.

- Frame 5 years
- Mechanical parts 1 year
- Electronics 1 year
- Labor 90 days

(Labor support does not include the installation of replacement parts involved in the initial product assembly and preventative maintenance services.)

For warranty & service of products purchased outside US/Canada, please contact your local distributor. To find your local international distributor, go to: www.nautilusinternational.com

How Nautilus Will Support the Warranty

Throughout the terms of the warranty coverage, Nautilus, Inc. will repair any machine that proves to be defective in materials or workmanship. Nautilus reserves the right to replace the product in the event a repair is not possible. When Nautilus determines replacement is the correct remedy, Nautilus may apply a limited credit reimbursement toward another Nautilus, Inc. brand Product, at our discretion. This reimbursement may be prorated based on length of ownership. Nautilus, Inc. provides repair service within major metropolitan areas. Nautilus, Inc. reserves the right to charge the consumer for travel outside these areas. Nautilus, Inc. is not responsible for dealer labor or maintenance charges beyond the applicable warranty period(s) stated herein. Nautilus, Inc. reserves the right to substitute material, parts or products of equal or better quality if identical materials or products are not available at the time of service under this warranty. Any replacement of the product under the terms of the Warranty in no way extends the original Warranty period. Any limited credit reimbursement may be prorated based on length of ownership. THESE REMEDIES ARE THE EXCLUSIVE AND SOLE REMEDIES FOR ANY BREACH OF WARRANTY.

What You Must Do

- Retain appropriate and acceptable Proof of Purchase.
- Operate, maintain, and inspect the Product as specified in the Product Documentation (Assembly, Owner's Manuals, etc.).
- Product must be used exclusively for the purpose intended.
- Notify Nautilus within 30 days after detecting an issue with the Product.
- Install replacement parts or components in accordance with any Nautilus instructions.
- Perform diagnostic procedures with a trained Nautilus, Inc representative if requested.

What Is Not Covered

- Damage due to abuse, tampering or modification of the Product, failure to properly follow assembly instructions, maintenance instructions, or safety warnings as stated in the Product Documentation (Assembly, Owner's Manuals, etc), damage due to improper storage or the effect of environmental conditions such as moisture or weather, misuse, mishandling, accident, natural disasters, power surges.

- A machine placed or used in a commercial or institutional setting. This includes gyms, corporations, work places, clubs, fitness centers and any public or private entity that has a machine for use by its members, customers, employees or affiliates.
- Damage caused by exceeding maximum user weights as defined in the Product's Owner's manual or warning label.
- Damage due to normal usage and wear and tear.
- This warranty does not extend to any territories or countries outside the United States and Canada.

How to Obtain Service

For Products purchased directly from Nautilus, Inc. contact the Nautilus office listed on the Contacts page of the products Owner's manual. You may be required to return the defective component to a specified address for repair or inspection, at your expense. Standard ground shipping of any warranty replacement parts will be paid by Nautilus, Inc. For products purchased from a retailer, you may be asked to contact your retailer for warranty support.

Exclusions

The preceding warranties are the sole and exclusive express warranties made by Nautilus, Inc. They supersede any prior, contrary or additional representations, whether oral or written. No agent, representative, dealer, person or employee has the authority to alter or increase the obligations or limitations of this warranty. Any implied warranties, including the WARRANTY OF MERCHANTABILITY and any WARRANTY OF FITNESS FOR A PARTICULAR PURPOSE, are limited in duration to the term of the applicable express warranty provided above, whichever is longer. Some states do not allow limitations on how long an implied warranty lasts, so the above limitation may not apply to you.

Limitation of Remedies

EXCEPT AS OTHERWISE REQUIRED BY APPLICABLE LAW, THE PURCHASER'S EXCLUSIVE REMEDY IS LIMITED TO REPAIR OR REPLACEMENT OF ANY COMPONENT DEEMED BY NAUTILUS, INC. TO BE DEFECTIVE UNDER THE TERMS AND CONDITIONS STATED HEREIN. IN NO EVENT WILL NAUTILUS, INC. BE LIABLE FOR ANY SPECIAL, CONSEQUENTIAL, INCIDENTAL, INDIRECT OR ECONOMIC DAMAGES, REGARDLESS OF THE THEORY OF LIABILITY (INCLUDING, WITHOUT LIMITATION, PRODUCT LIABILITY, NEGLIGENCE OR OTHER TORT) OR FOR ANY LOST REVENUE, PROFIT, DATA, PRIVACY OR FOR ANY PUNITIVE DAMAGES ARISING OUT OF OR RELATED TO THE USE OF THE FITNESS MACHINE EVEN IF NAUTILUS, INC. HAS BEEN ADVISED OF THE POSSIBILITY OF SUCH DAMAGES. THIS EXCLUSION AND LIMITATION SHALL APPLY EVEN IF ANY REMEDY FAILS OF ITS ESSENTIAL PURPOSE. SOME STATES DO NOT ALLOW THE EXCLUSION OR LIMITATION OF CONSEQUENTIAL OR INCIDENTAL TYPE DAMAGES SO THE ABOVE LIMITATION MAY NOT APPLY TO YOU.

State Laws

This warranty gives you specific legal rights. You may also have other rights, which vary from state to state.

Expirations

If the warranty has expired, Nautilus, Inc. may assist with replacements or repairs to parts and labor, but there will be a charge for these services. Contact a Nautilus office for information on post-warranty parts and services. Nautilus does not guarantee availability of spare parts after expiration of warranty period.

International Purchases

If you purchased your machine outside of the United States consult your local distributor or dealer for warranty coverage.



8018256.021518.A